

TRIOLIET

Trioliet Mullos
UitkUILkiepbak

Silokipp



Onderdelenlijst / Ersatzteilliste

Bestelnummer / Bestellnummer 92046/2

Geldig vanaf Prod. Serie Nr. / Gültig ab Produktie Serienr: 01

INHOUDSOPGAVE

Abb.

| | |
|-------------------------------|----|
| Stickers | 1 |
| Laadbak, mechanisch kliepend | 2 |
| Laadbak, hydraulisch kliepend | 3 |
| Snijbord en telescooparm | 4 |
| Zijmessen | 5 |
| Stuurblok, uitwendig | 6 |
| Stuurblok, inwendig | 7 |
| 2-handelventiel | 8 |
| 3-handelventiel | 9 |
| Mechanische afstandsbediening | 10 |
| Achtermescilinder | 11 |
| Cilinders, telescoop | 12 |
| Kiepcilinder | 13 |
| Snelkoppelingssysteem | 14 |

INHAALT

Abb.

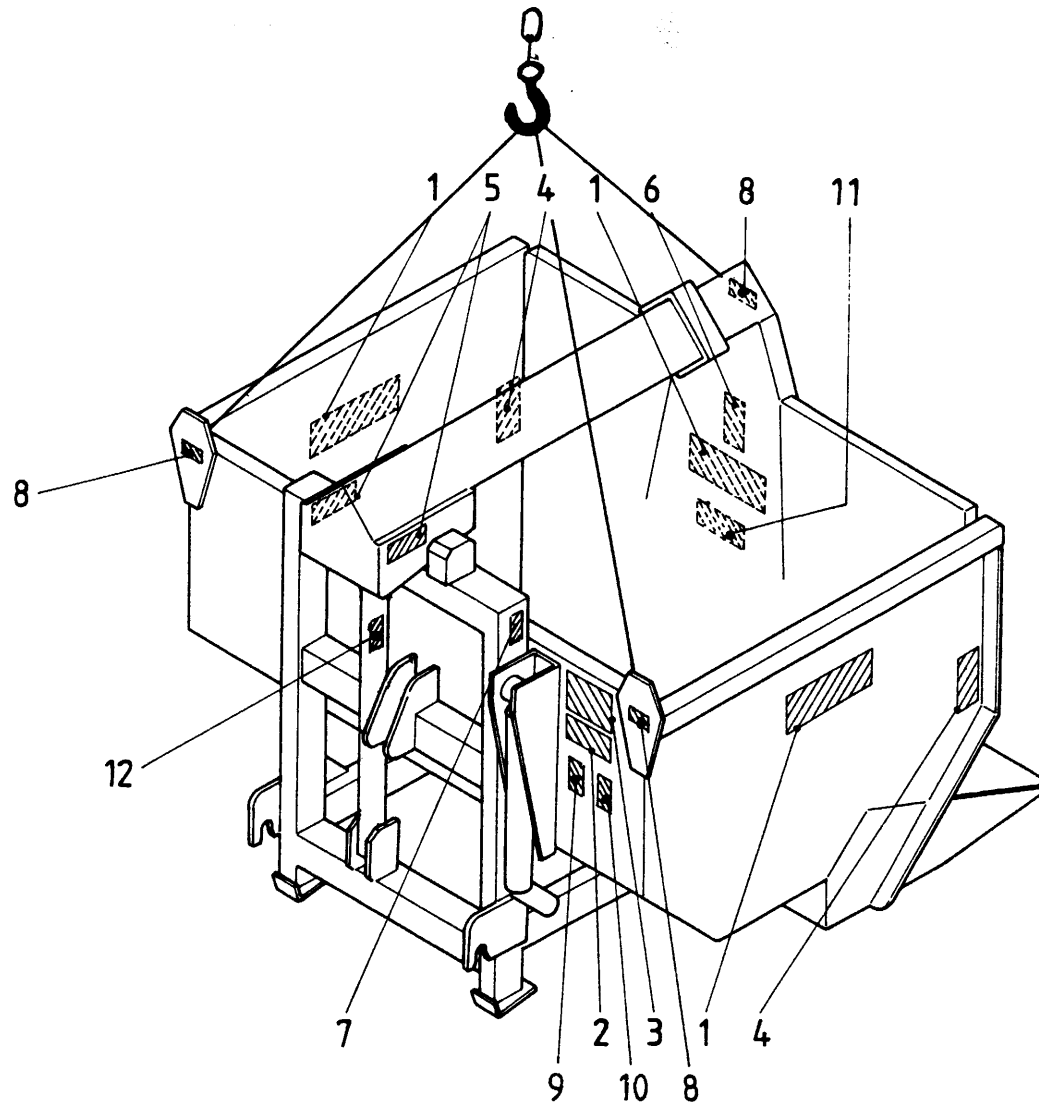
| | |
|--|----|
| Aufkleber | 1 |
| Behälter, mechanische Kippvorrichtung | 2 |
| Behälter, hydraulische Kippvorrichtung | 3 |
| Schneidschild und Teleskooparm | 4 |
| Seienmesser | 5 |
| Steuerventil, Außenseite | 6 |
| Steuerventil, Innenseite | 7 |
| 2-Handelventil | 8 |
| 3-Handelventil | 9 |
| Mechanische Fernbediening | 10 |
| Zylinder Hintermesser | 11 |
| Zylinder Teleskop | 12 |
| Kipp-Zylinder | 13 |
| Schnellkupplung | 14 |

92046/2

Afb. 1

Stickers

Aufkleber



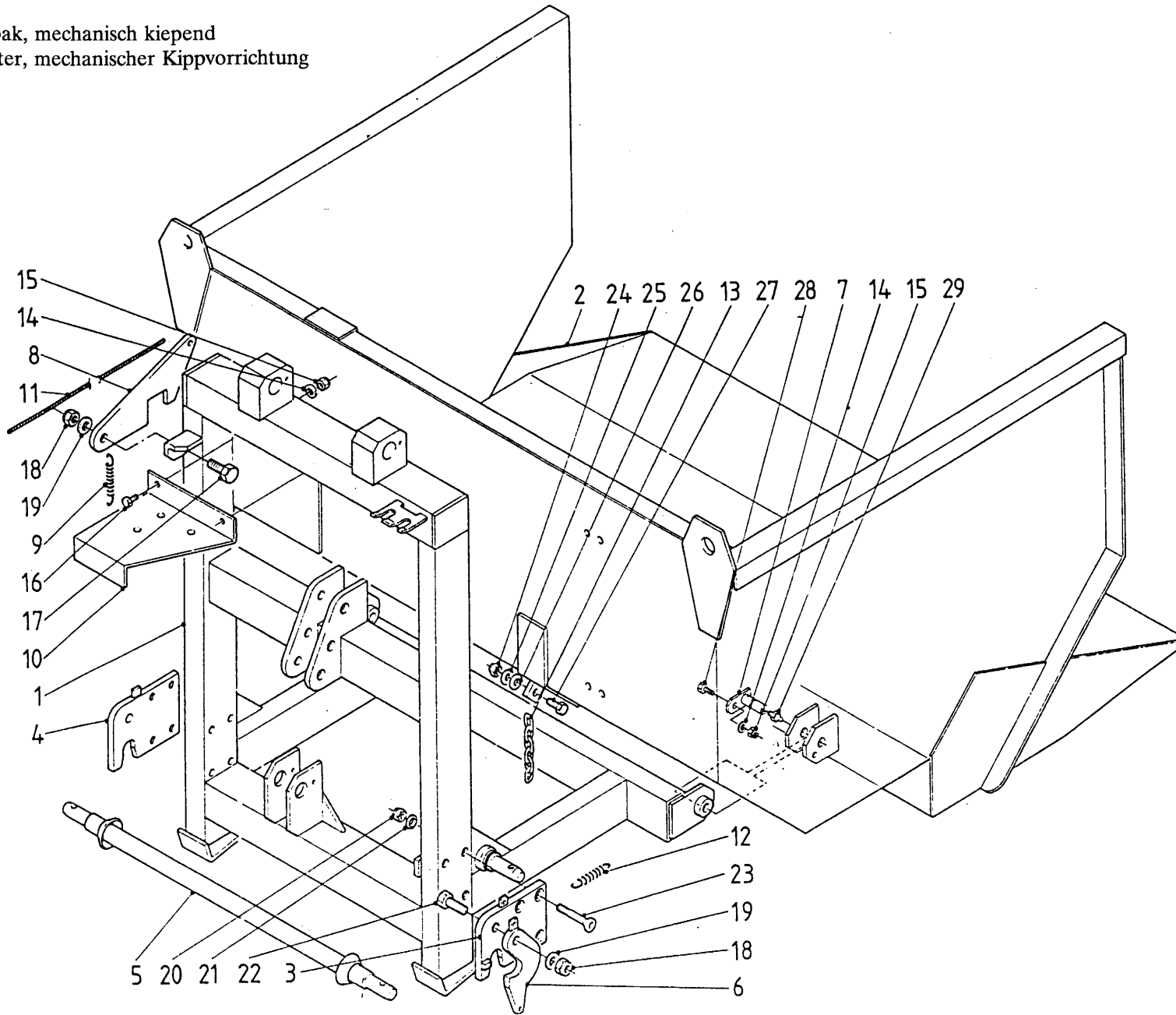
bestelnummer
ordernummer
num.à commander
Bestellnummer

| | | |
|----|-------|---|
| 1 | 91007 | 3 |
| 2 | 91159 | 1 |
| 3 | 91160 | 1 |
| 4 | 91172 | 2 |
| 5 | 91151 | 2 |
| 6 | 91153 | 1 |
| 7 | 91187 | 1 |
| 8 | 91183 | 3 |
| 9 | 91188 | 1 |
| 10 | 91185 | 1 |
| 11 | 91189 | 1 |
| 12 | 91182 | 1 |

92046/2

Afb. 2

Laadbak, mechanisch kiepend
Behälter, mechanischer Kippvorrichtung



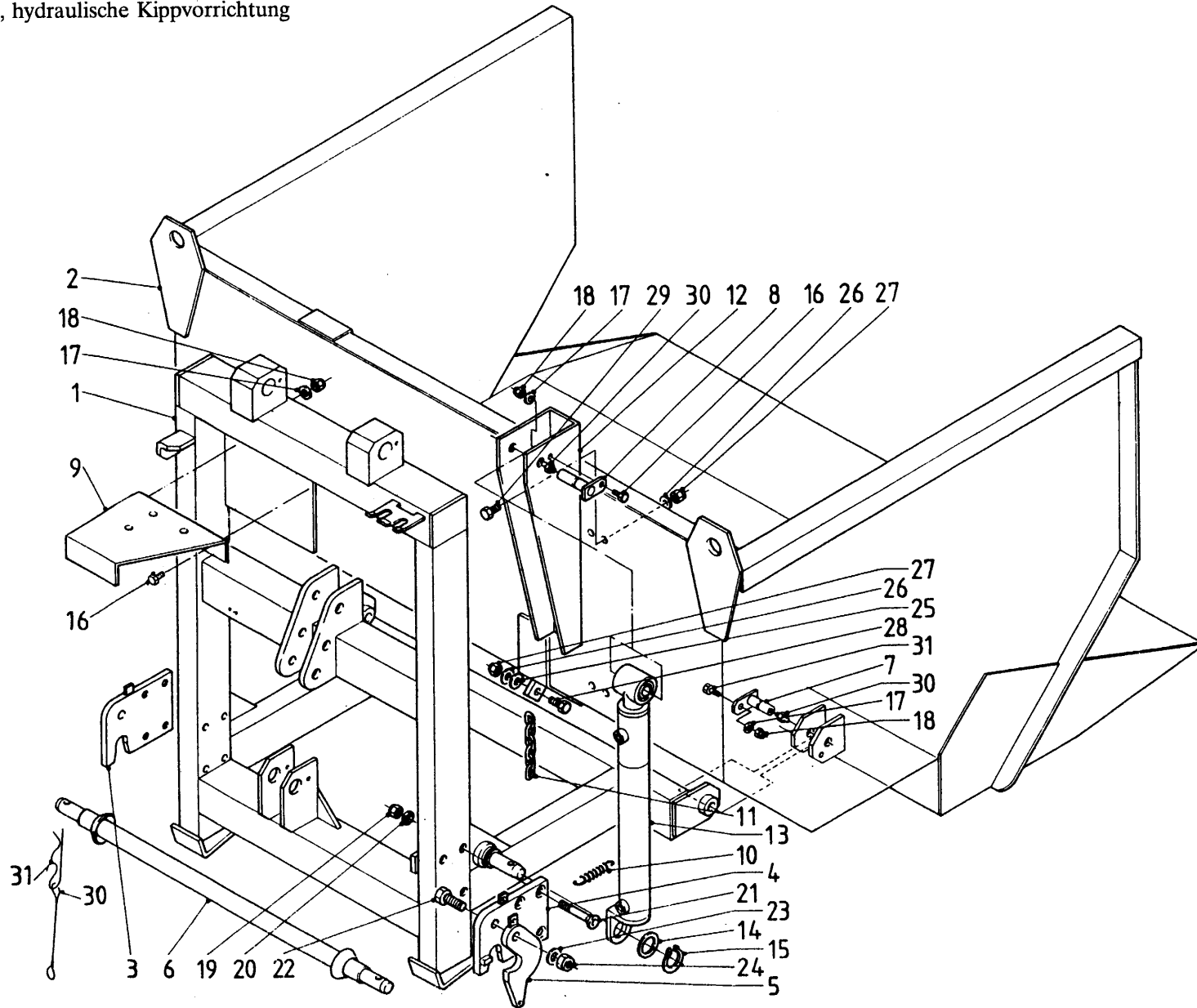
bestelnummer
ordernummer
num.à commander
Bestellnummer

| | | | |
|----|-------|---|-----------|
| 1 | 11159 | 1 | |
| 2 | 11161 | 2 | |
| 3 | 11165 | 3 | |
| 4 | 11164 | 1 | |
| 5 | 10012 | 1 | |
| 6 | 10392 | 2 | |
| 7 | 11162 | 2 | |
| 8 | 11163 | 1 | |
| 9 | 65034 | 1 | |
| 10 | 22738 | 1 | |
| 11 | 90210 | 1 | |
| 12 | 65005 | 2 | |
| 13 | 39080 | 1 | |
| 14 | 85108 | 4 | M 8 |
| 15 | 86208 | 4 | M 8 |
| 16 | 80821 | 2 | M 8 x 20 |
| 17 | 81641 | 1 | M 16 x 40 |
| 18 | 86216 | 3 | M 16 |
| 19 | 85116 | 3 | M 16 |
| 20 | 86212 | 8 | M 12 |
| 21 | 85112 | 8 | M 12 |
| 22 | 81646 | 2 | M 16 x 45 |
| 23 | 84121 | 8 | M 12 x 80 |
| 24 | 86210 | 2 | M 10 |
| 25 | 85110 | 2 | M 10 |
| 26 | 85113 | 2 | M 10 |
| 27 | 81041 | 2 | M 10 x 40 |
| 28 | 80826 | 2 | M 8 x 25 |
| 29 | 89505 | 2 | |
| 30 | 90282 | 1 | |
| 31 | 65004 | 1 | Ø 5 |

92046/2

Afb. 3

Laadbak, hydraulisch kiepend
Behälter, hydraulische Kippvorrichtung



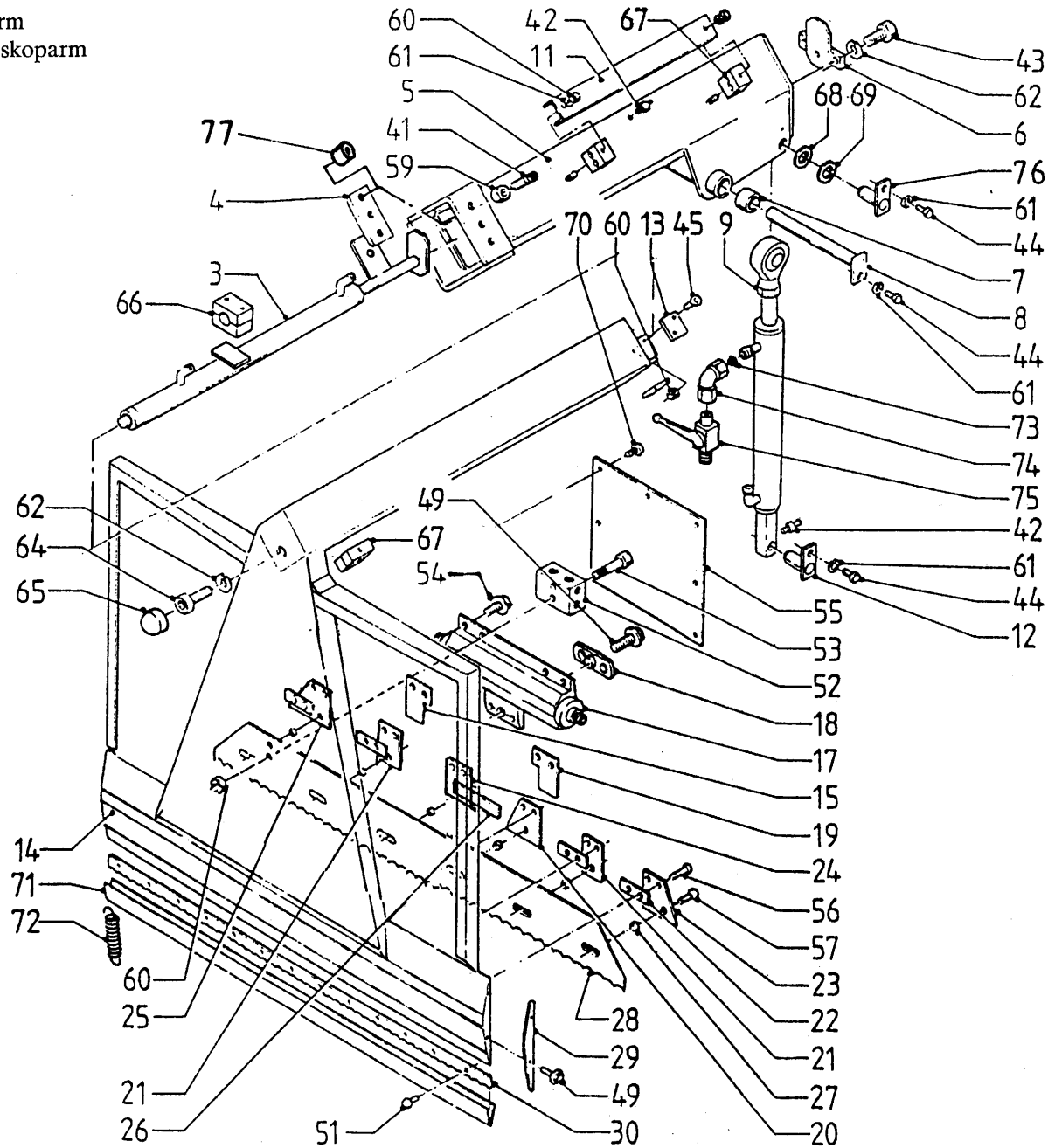
bestelnummer
ordernummer
num.à commander
Bestellnummer

| | | | |
|-----|-------|---|-----------|
| 1 | 11159 | 1 | |
| 2 | 11161 | 1 | |
| 3 | 11164 | 1 | |
| 4 | 11165 | 1 | |
| 5 | 10392 | 2 | |
| 6 | 10012 | 6 | |
| 7 | 11162 | 2 | |
| 8 | 11170 | 1 | |
| 9 | 22738 | 1 | |
| 10 | 65005 | 2 | |
| 11 | 39080 | 1 | |
| 12 | 11236 | 1 | |
| 13A | 51004 | 1 | → 01 |
| B | 51026 | 1 | → 02 |
| 14 | 85340 | 1 | |
| 15 | 87041 | 1 | |
| 16 | 80821 | 3 | M 8 x 20 |
| 17 | 85108 | 5 | M 8 |
| 18 | 86208 | 5 | M 8 |
| 19 | 86212 | 8 | M 12 |
| 20 | 85112 | 8 | M 12 |
| 21 | 84121 | 8 | M 12 x 80 |
| 22 | 81646 | 2 | M 16 x 45 |
| 23 | 85116 | 2 | M 16 |
| 24 | 86216 | 2 | M 16 |
| 25 | 85113 | 2 | M 10 |
| 26 | 85110 | 6 | M 10 |
| 27 | 86210 | 6 | M 10 |
| 28 | 81041 | 2 | M 10 x 40 |
| 29 | 80820 | 4 | M 8 x 20 |
| 30 | 89505 | 2 | |
| 31 | 80826 | 2 | M 8 x 25 |
| 32 | 90282 | 1 | |
| 33 | 65004 | 1 | |

92046/2

Afb. 4

Snijbord en telescooparm
 Schneidschild und Teleskoparm

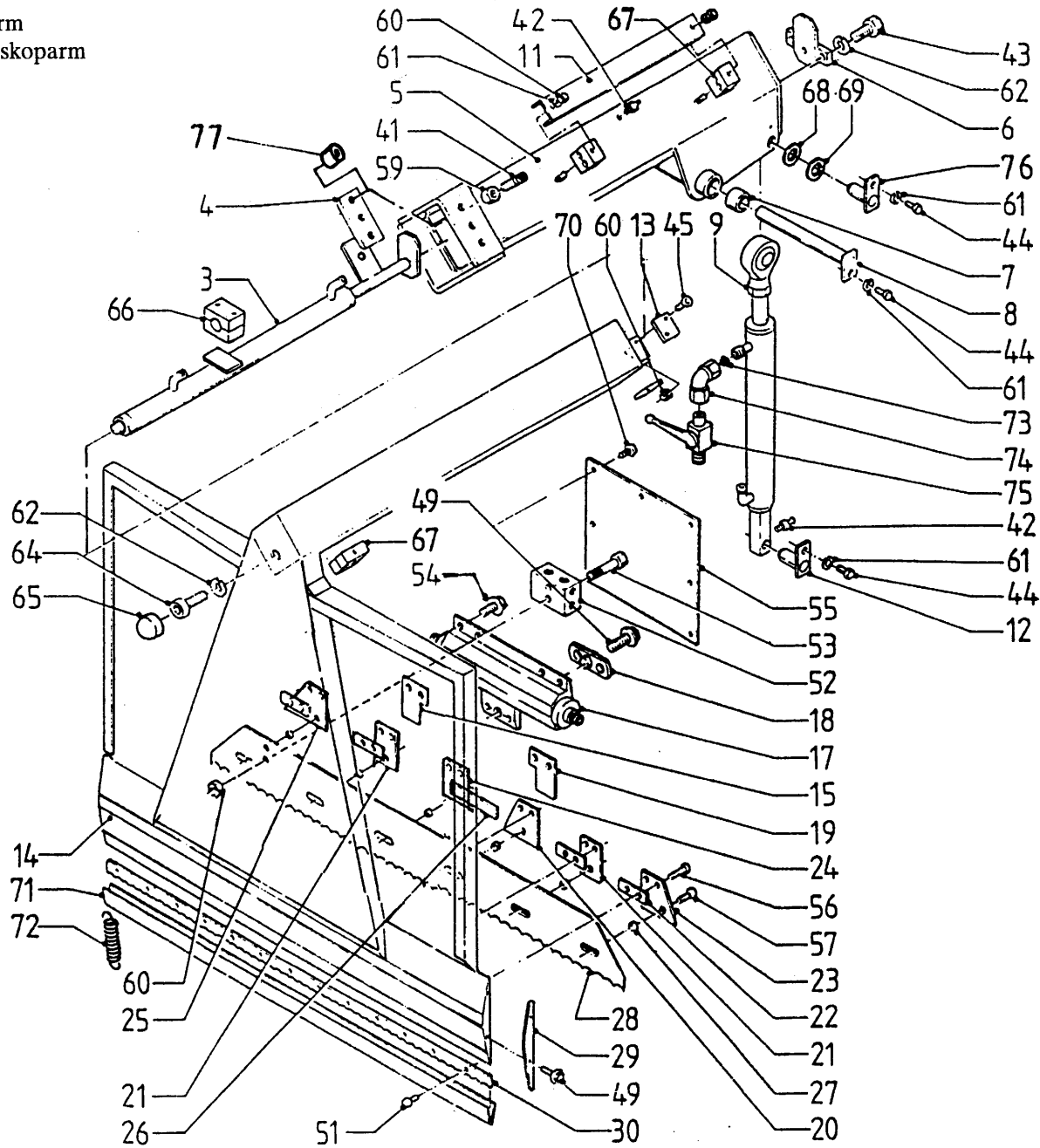


| bestelnummer | ordernummer | num.à commander | Bestellnummer |
|--------------|-------------|-----------------|---------------|
| 3 | 50050 | 1 | |
| 4A | 05227 | 4 | → 01 |
| B | 60196 | 4 | → 02 |
| 5 | 10936 | 1 | |
| 6 | 10827 | 1 | |
| 7 | 51751 | 2 | |
| 8 | 10798 | 1 | |
| 9 | 50080 | 1 | |
| 11 | 40242 | 1 | |
| 12 | 10897 | 1 | |
| 13 | 60143 | 4 | |
| 14 | 10837 | 1 | |
| 15 | 22636 | 1 | |
| 17 | 51011 | 1 | |
| 18 | 30975 | 1 | |
| 19 | 22637 | 1 | |
| 20 | 21871 | 1 | |
| 21 | 21873 | 2 | |
| 22 | 22634 | 4 | |
| 23 | 21875 | 1 | |
| 24 | 21872 | 1 | |
| 25 | 21876 | 1 | |
| 26 | 22635 | 1 | |
| 27 | 30953 | 6 | |
| 28 | 22561 | 1 | |
| 29A | 21864 | 1 | links |
| B | 22559 | 1 | rechts |
| 30 | 21915 | 1 | |
| 41 | 84161 | 12 | M 12 x 45 |
| 42 | 89505 | 2 | M 8 x 1 |
| 43 | 81236 | 3 | M 12 x 35 |
| 44 | 80821 | 3 | M 8 x 20 |
| 45 | 84125 | 8 | M 8 x 25 |
| 49 | 83920 | 2 | M 10 x 20 |
| 51 | 85207 | 13 | Ø 5 x 12 |
| 52 | 30702 | 1 | |
| 53 | 80856 | 2 | M 8 x 55 |
| 54 | 83921 | 4 | M 10 x 25 |
| 55 | 40247 | 1 | |

92046/2

Afb. 4

Snijbord en telescooparm
Schneidschild und Teleskoparm



bestelnummer
ordernummer
num.à commander
Bestellnummer

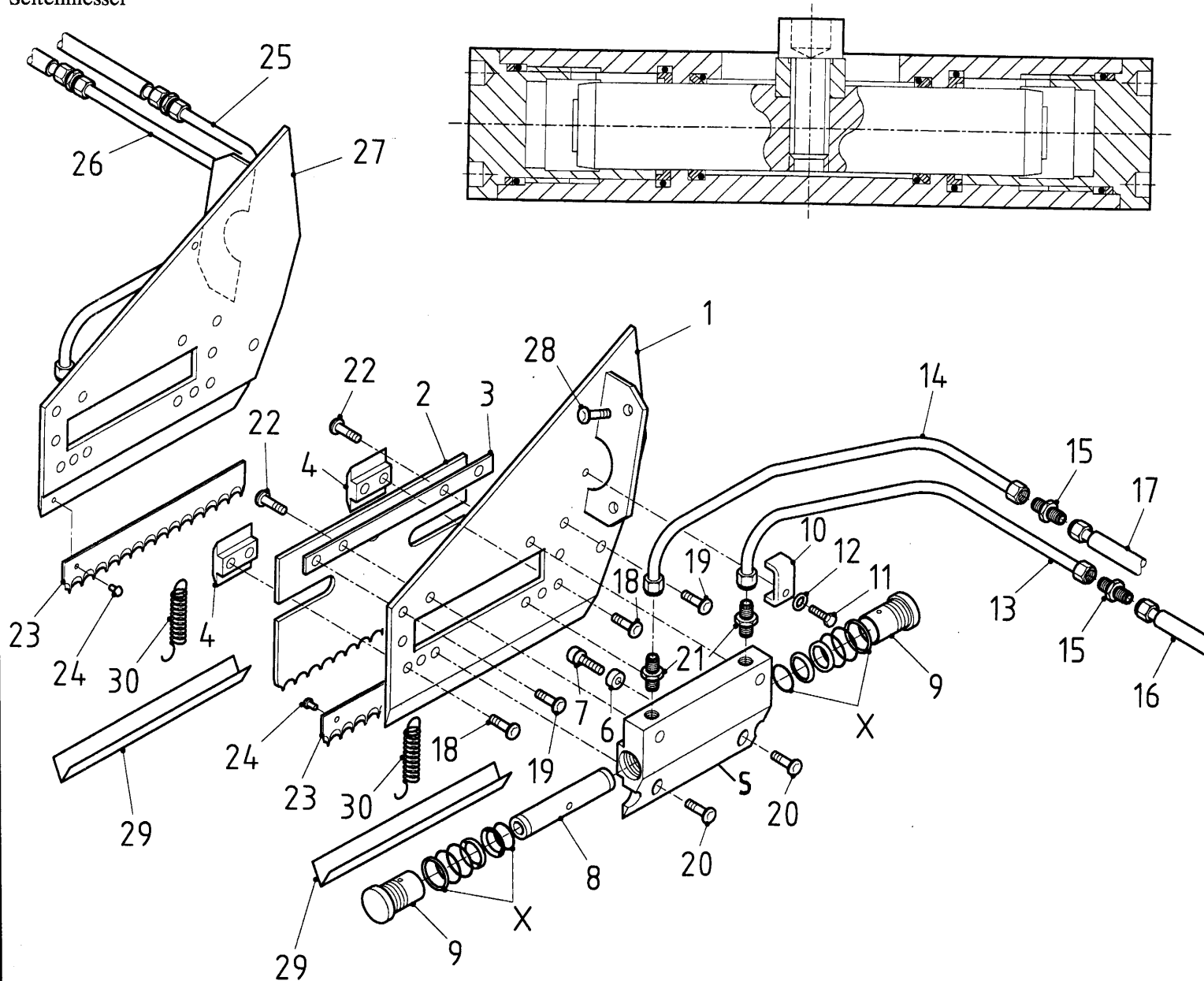
| | | | |
|----|-------|----|-----------|
| 56 | 84805 | 14 | M 8 x 20 |
| 57 | 83917 | 6 | M 8 x 16 |
| 59 | 86112 | 12 | M 12 |
| 60 | 86208 | 12 | M 8 |
| 61 | 85008 | 3 | M 8 |
| 62 | 85012 | 4 | M 12 |
| 64 | 84417 | 1 | M 12 x 30 |
| 65 | 60055 | 1 | |
| 66 | 90160 | 1 | |
| 67 | 90159 | 4 | |
| 68 | 85331 | 2 | |
| 69 | 85338 | 2 | |
| 70 | 84702 | 8 | 5,5 x 13 |
| 71 | 40316 | 1 | |
| 72 | 65019 | 2 | |
| 73 | 70069 | 1 | Ø 10 |
| 74 | 50146 | 1 | |
| 75 | 51019 | 1 | |
| 76 | 11313 | 1 | |
| 77 | 24018 | 12 | |

92046/2

Afb. 5

Zijmessen

Seitenmesser



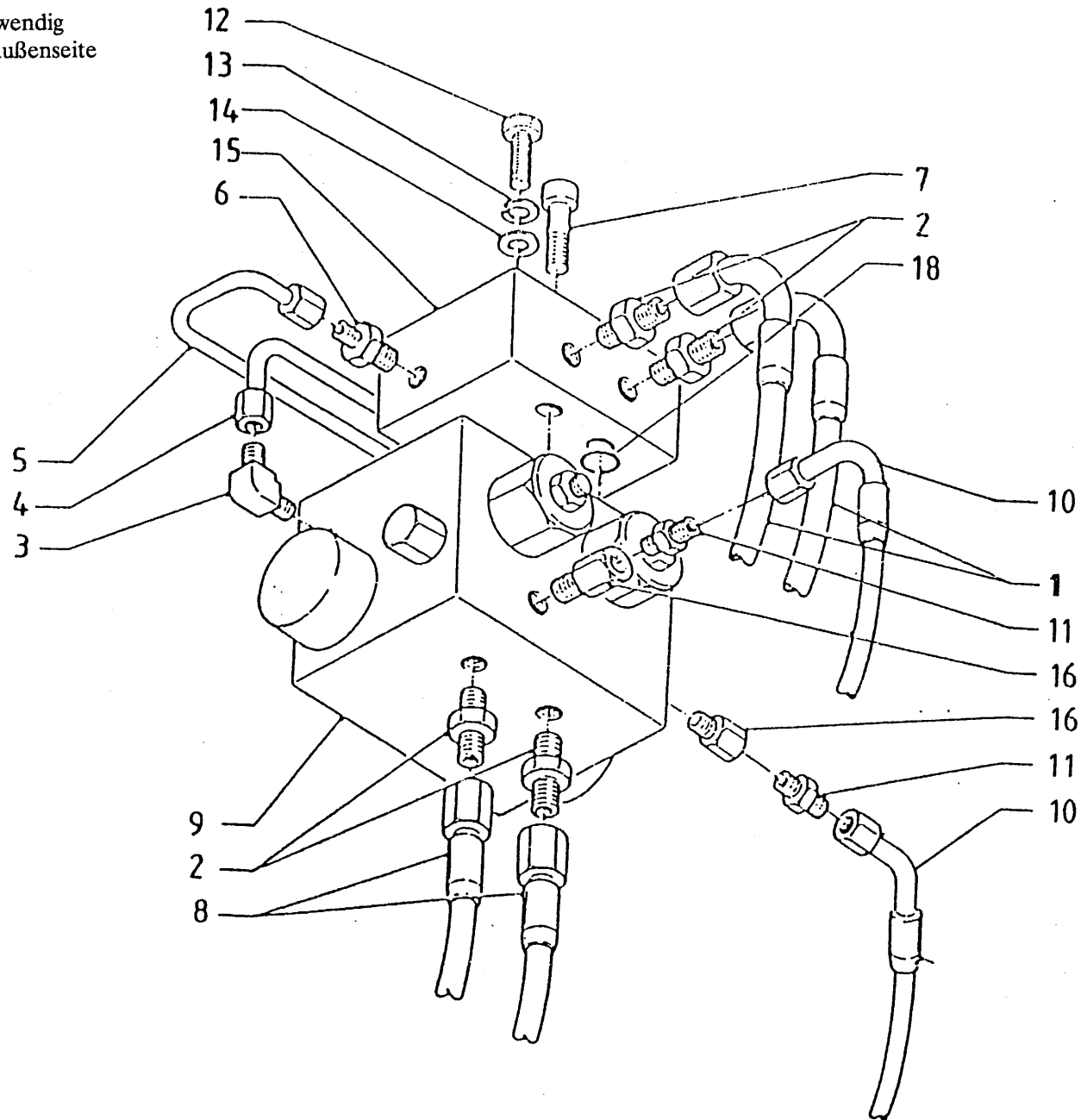
bestelnummer
ordernummer
num.à commander
Bestellnummer

| | | | |
|----|--------|---|----------------|
| 1 | 10902 | 1 | |
| 2 | 21619 | 1 | |
| 3 | 22225 | 1 | |
| 4 | 30699 | 2 | |
| 5 | 30759 | 1 | |
| 6A | 30674 | 1 | → 01 |
| B | 31165 | 1 | ↳ 02 |
| 7A | 84414 | 1 | M8 → 01 |
| B | 84437 | 1 | M10 ↳ 02 |
| 8A | 30758 | 1 | → 01 |
| B | 31163 | 1 | ↳ 02 |
| 9 | 30757 | 2 | |
| 10 | 22234 | 1 | |
| 11 | 80620 | 1 | M 6 x 20 |
| 12 | 85006 | 1 | M 6 |
| 13 | 50729 | 1 | |
| 14 | 50730 | 1 | |
| 15 | X50135 | 2 | |
| 16 | W50763 | 1 | ¼" 820 RH 2 PR |
| 17 | W50762 | 1 | ¼" 750 RR 2 PR |
| 18 | 84820 | 4 | M 8 x 20 |
| 19 | 84807 | 2 | M 8 x 16 |
| 20 | 84817 | 2 | M 8 x 12 |
| 21 | 50104 | 2 | |
| 22 | 84819 | 2 | M 8 x 30 |
| 23 | 21914 | 1 | |
| 24 | 85218 | 2 | Ø 5 x 16 |
| 25 | 50731 | 1 | |
| 26 | 50732 | 1 | |
| 27 | 10903 | 1 | |
| 28 | 83919 | 2 | M 8 x 20 |
| 29 | 40317 | 1 | |
| 30 | 65019 | 1 | |
| X | 05115 | 1 | |

92046/2

Afb. 6

Stuurblok uitwendig
Steuerventil außenseite



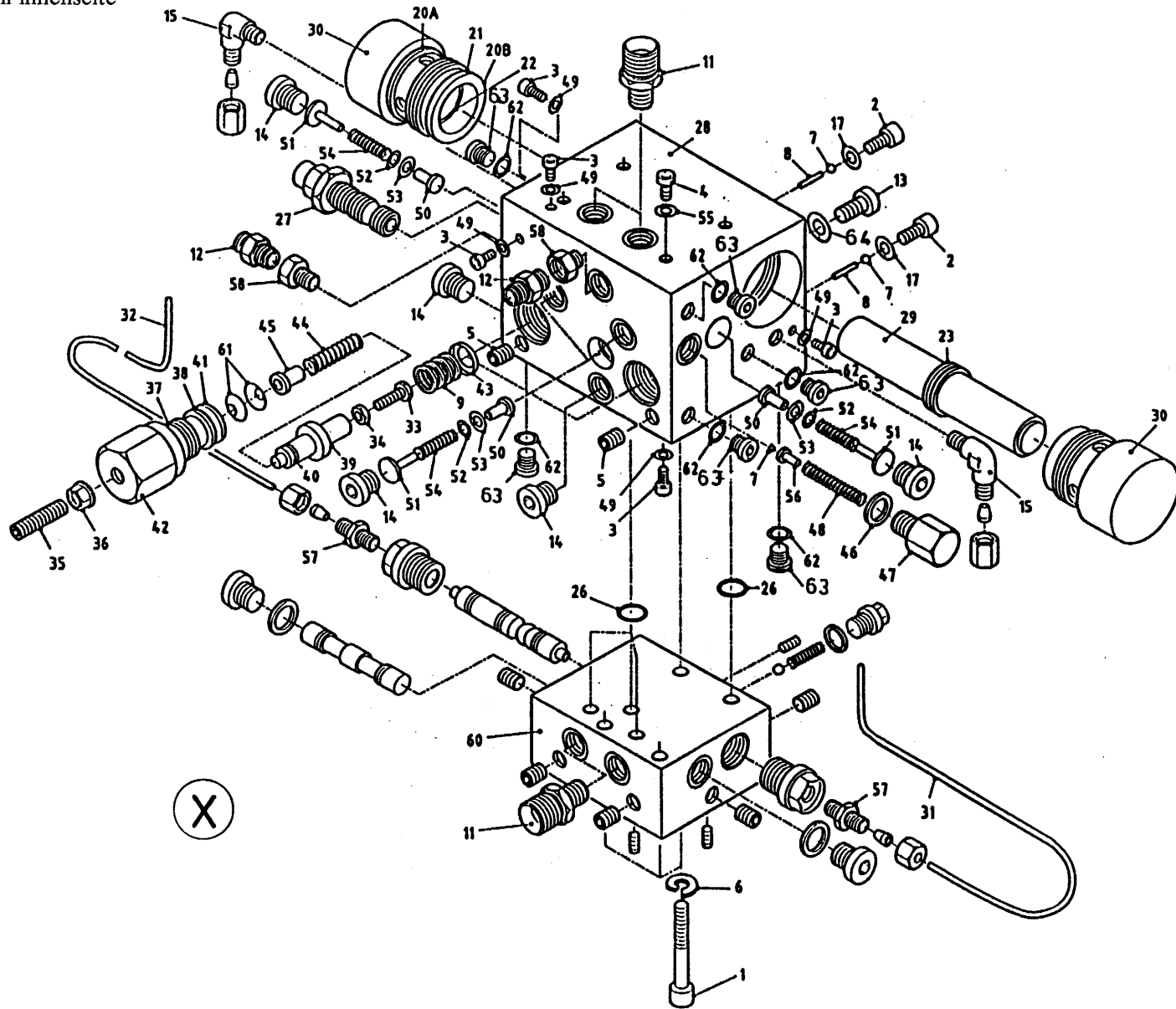
bestelnummer
ordernummer
num.à commander
Bestellnummer

| | | | |
|----|--------|---|-----------------|
| 1 | W50668 | 2 | 1/2" 4000 RH |
| 2 | X50102 | 2 | |
| 3 | 50120 | 2 | |
| 4 | 50680 | 1 | |
| 5 | 50681 | 1 | |
| 6 | 50121 | 2 | |
| 7 | 84419 | 3 | M8 x 45 |
| 8 | W50722 | 2 | 1/2" 600 RR |
| 9A | 53210 | 1 | 01 (200/2,5) |
| 9B | 53051 | 1 | 1- 02 (250/2,5) |
| 10 | W50743 | 2 | 1/4" 1200 RH |
| 11 | X50202 | 2 | |
| 12 | 84425 | 3 | M8 x 12 |
| 13 | 85008 | 3 | M8 |
| 14 | 85108 | 3 | M8 |
| 15 | 53052 | 1 | |
| 16 | 50156 | 2 | |
| 18 | 78045 | 4 | |

92046/2

Afb. 7

Stuurblok inwendig
Steuerventil innenseite



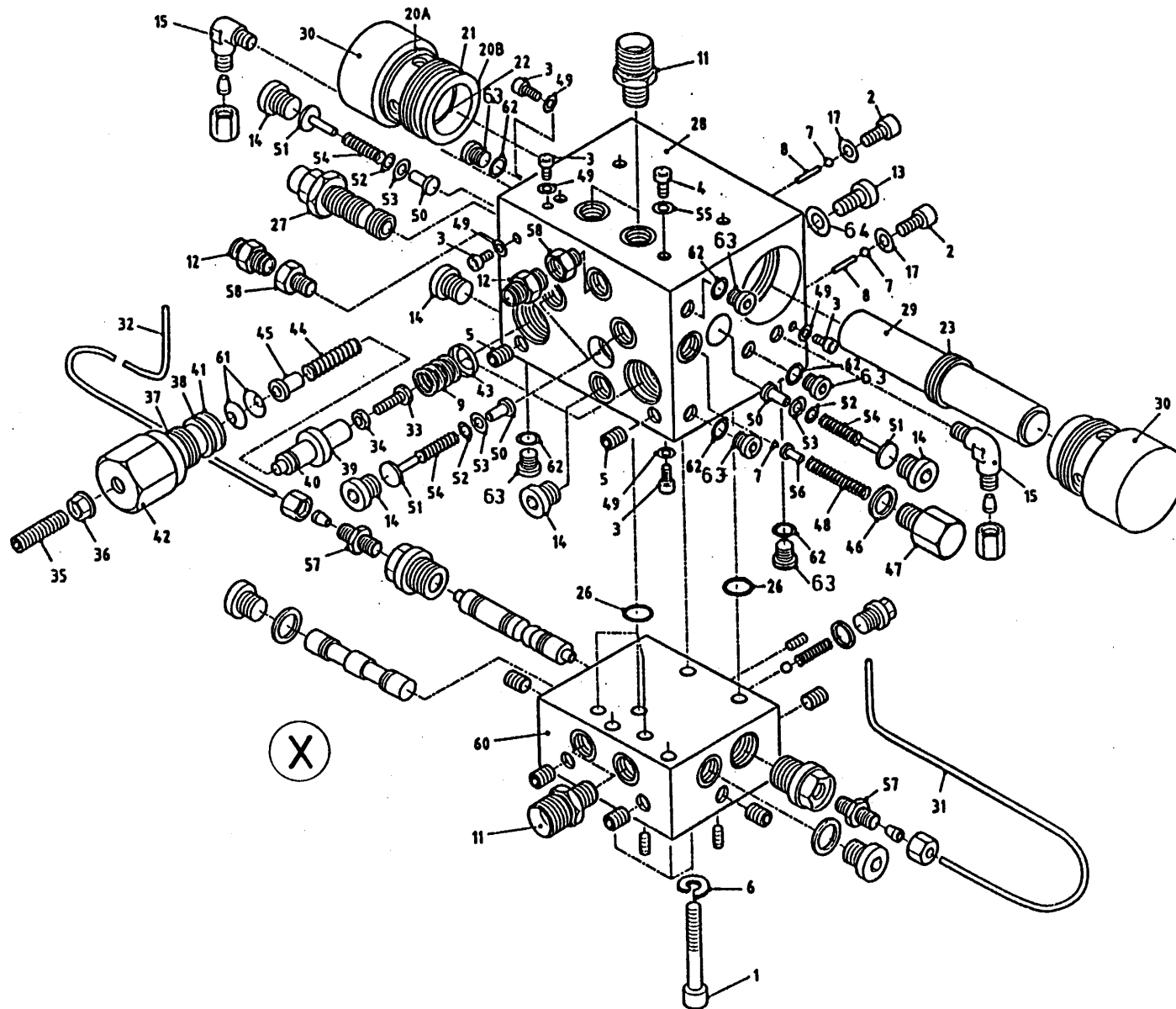
bestelnummer
ordernummer
num.à commander
Bestellnummer

| | | | |
|-----|--------|---|------|
| 1 | 84419 | 3 | |
| 2 | 84418 | 2 | |
| 3 | 84430 | 4 | |
| 4 | 84403 | 1 | |
| 5 | 53312 | 9 | |
| 6 | 85008 | 3 | |
| 7 | 70040 | 3 | |
| 8 | 70070 | 2 | |
| 9 | 65056 | 2 | |
| 11 | X50102 | 4 | |
| 12 | X50202 | 2 | |
| 13 | 53323 | 1 | |
| 14 | 53314 | 7 | |
| 15 | 50120 | 2 | |
| 17 | 85202 | 2 | |
| 20A | 78046 | 2 | → 01 |
| B | 51819 | 2 | → 02 |
| 21 | 78037 | 2 | |
| 22A | 51754 | 2 | → 01 |
| B | 51814 | 2 | → 02 |
| 23 | 51755 | 1 | |
| 26 | 78045 | 4 | |
| 27 | 53008 | 1 | |
| 28 | 30717 | 1 | |
| 29A | 30711 | 1 | → 01 |
| B | 31164 | 1 | → 02 |
| 30A | 30710 | 2 | → 01 |
| B | 31166 | 2 | → 02 |
| 31 | 50681 | 1 | |
| 32 | 50680 | 1 | |
| 33 | 80635 | 2 | |
| 34 | 86106 | 2 | |
| 35 | 84131 | 2 | |
| 36 | 86905 | 2 | |
| 37 | 78038 | 2 | |
| 38 | 78039 | 2 | |
| 39 | 31003 | 2 | |
| 40 | 51802 | 2 | |
| 41 | 51757 | 2 | |

92046/2

Afb. 7

Stuurblok inwendig
Steuerventil innenseite



bestelnummer
ordernummer
num.à commander
Bestellnummer

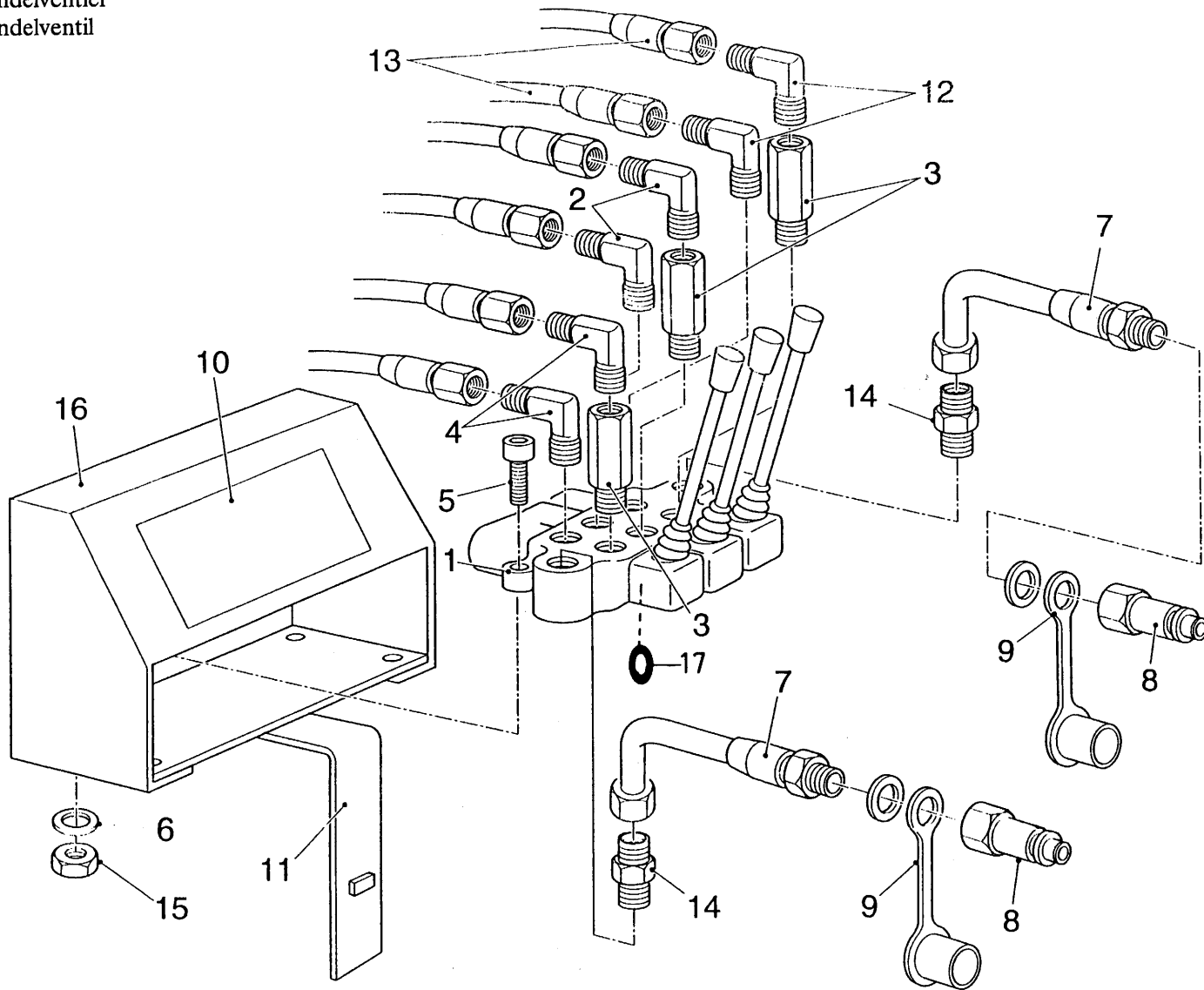
| | | | |
|----|-------|---|----------------|
| 42 | 31002 | 2 | |
| 43 | 31004 | 2 | |
| 44 | 65057 | 2 | |
| 45 | 31015 | 2 | |
| 46 | 85215 | 8 | |
| 47 | 30714 | 1 | |
| 48 | 65052 | 1 | |
| 49 | 85217 | 4 | |
| 50 | 30085 | 5 | |
| 51 | 30844 | 5 | |
| 52 | 30086 | 5 | |
| 53 | 60156 | 5 | |
| 54 | 65020 | 5 | |
| 55 | 85223 | 1 | |
| 56 | 30715 | 1 | |
| 57 | 50121 | 2 | |
| 58 | 50156 | 2 | |
| 60 | 53032 | 1 | |
| 61 | 85704 | 2 | |
| 62 | 85238 | 7 | |
| 63 | 53322 | 7 | |
| 64 | 85239 | 1 | |
| X | 53210 | 1 | 01 (200/2,5) |
| X | 53051 | 1 | ↳ 02 (250/2,5) |

92046/2

Afb. 9

3-Handelventil

3-Handelventil



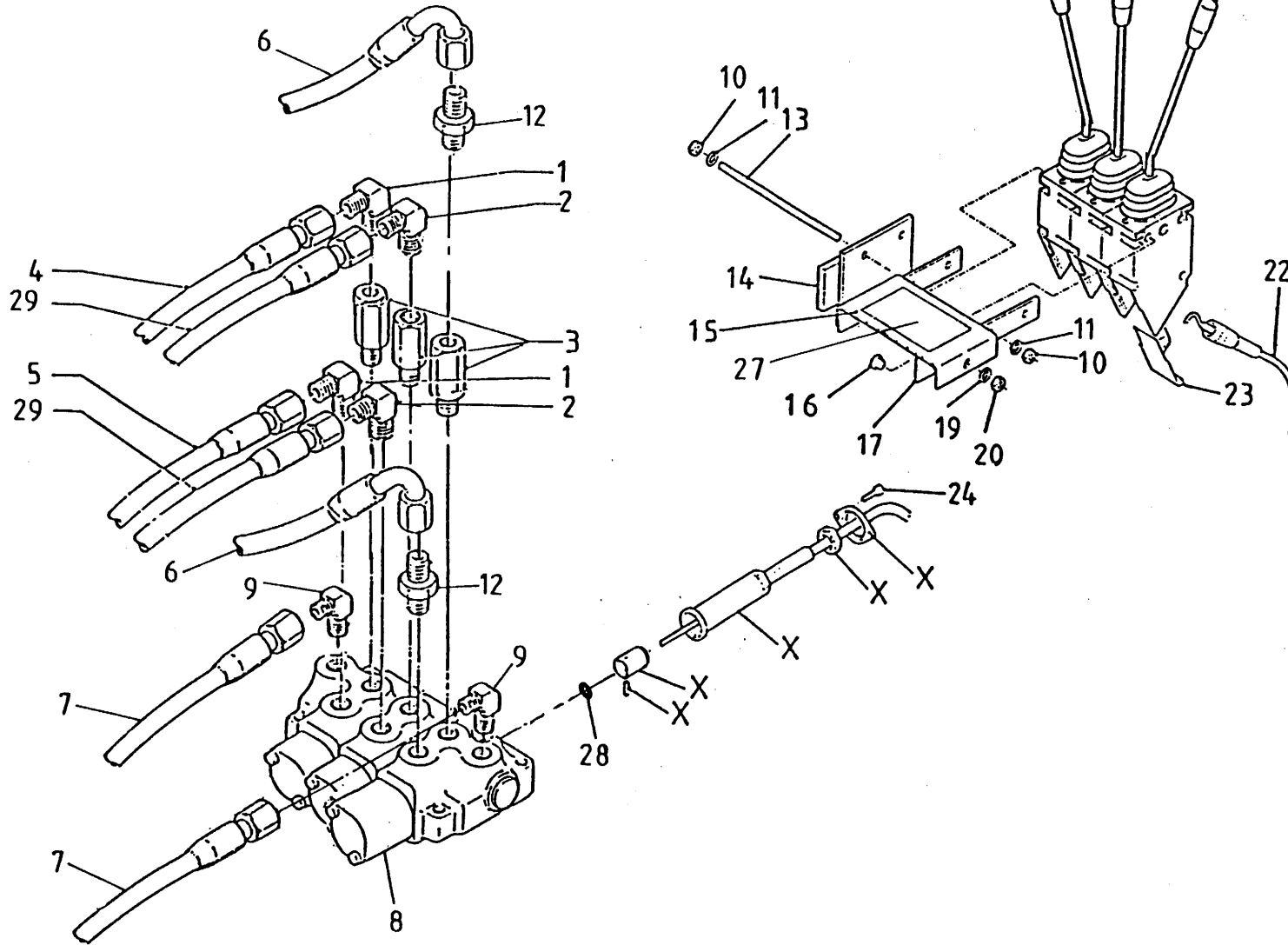
bestelnummer
 ordernummer
 num.à commander
 Bestellnummer

| | | | |
|----|--------|---|-------------------|
| 1 | 53093 | 1 | |
| 2 | X50101 | 2 | |
| 3 | 50133 | 3 | |
| 4 | X50103 | 2 | |
| 5 | 84419 | 3 | M 8 x 45 |
| 6 | 85108 | 3 | M 8 |
| 7A | W50772 | 2 | 1/2" 1400 RR → 01 |
| B | W50805 | 2 | 1/2" 1400 RH → 02 |
| 8 | 53301 | 2 | |
| 9 | 53303 | 2 | |
| 10 | 91098 | 1 | |
| 11 | 10099 | 1 | |
| 12 | X50118 | 2 | |
| 13 | W50608 | 2 | 1/4" 1800 RR |
| 14 | X50102 | 2 | |
| 15 | 86208 | 3 | |
| 16 | 40308 | 1 | M8 |
| 17 | 78080 | 3 | |

92046/2

Afb. 10

Mechanische afstandsbediening
 Mechanische Fernbedienung



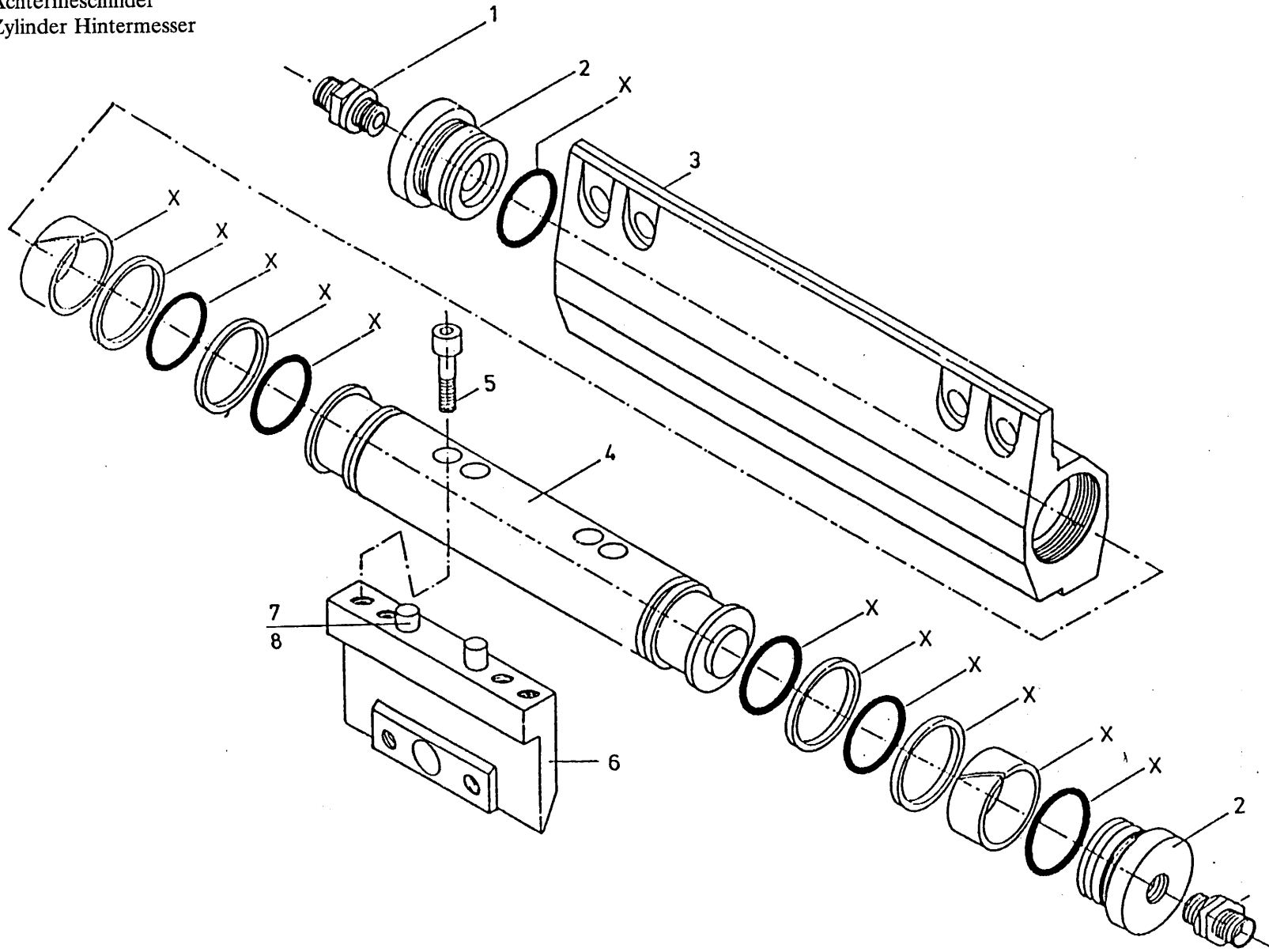
bestelnummer
 ordernummer
 num.à commander
 Bestellnummer

| | | | |
|----|--------|---|---------------|
| 1 | X50103 | 2 | |
| 2 | X50118 | 2 | |
| 3 | 50133 | 3 | |
| 4 | W50682 | 1 | 3/8" 3000 RRZ |
| 5 | W50724 | 1 | 3/8" 2200 RRZ |
| 6 | W50805 | 2 | 1/2" 1400 RH |
| 7 | W50641 | 2 | 1/2" 1800 RR |
| 8 | 53004 | 1 | |
| 9 | X50101 | 2 | |
| 10 | 86206 | 6 | M 6 |
| 11 | 85106 | 6 | M 6 |
| 12 | X50102 | 2 | |
| 13 | 84158 | 3 | |
| 14 | 11139 | 1 | |
| 15 | 22658 | 1 | |
| 16 | 80816 | 2 | M 8 x 16 |
| 17 | 22244 | 2 | |
| 19 | 85108 | 2 | M 8 |
| 20 | 86208 | 2 | M 8 |
| 21 | 53099 | 1 | |
| 22 | 79059 | 3 | |
| 23 | 60210 | 3 | |
| 24 | 84426 | 6 | M 6 x 16 |
| 25 | 53129 | 1 | 15° L |
| 26 | 53127 | 1 | 15° R |
| 28 | 78080 | 3 | |
| 29 | W50608 | 2 | 1/4" 1800 RR |

92046/2

Afb. 11

Achtermescylinder
Zylinder Hintermesser



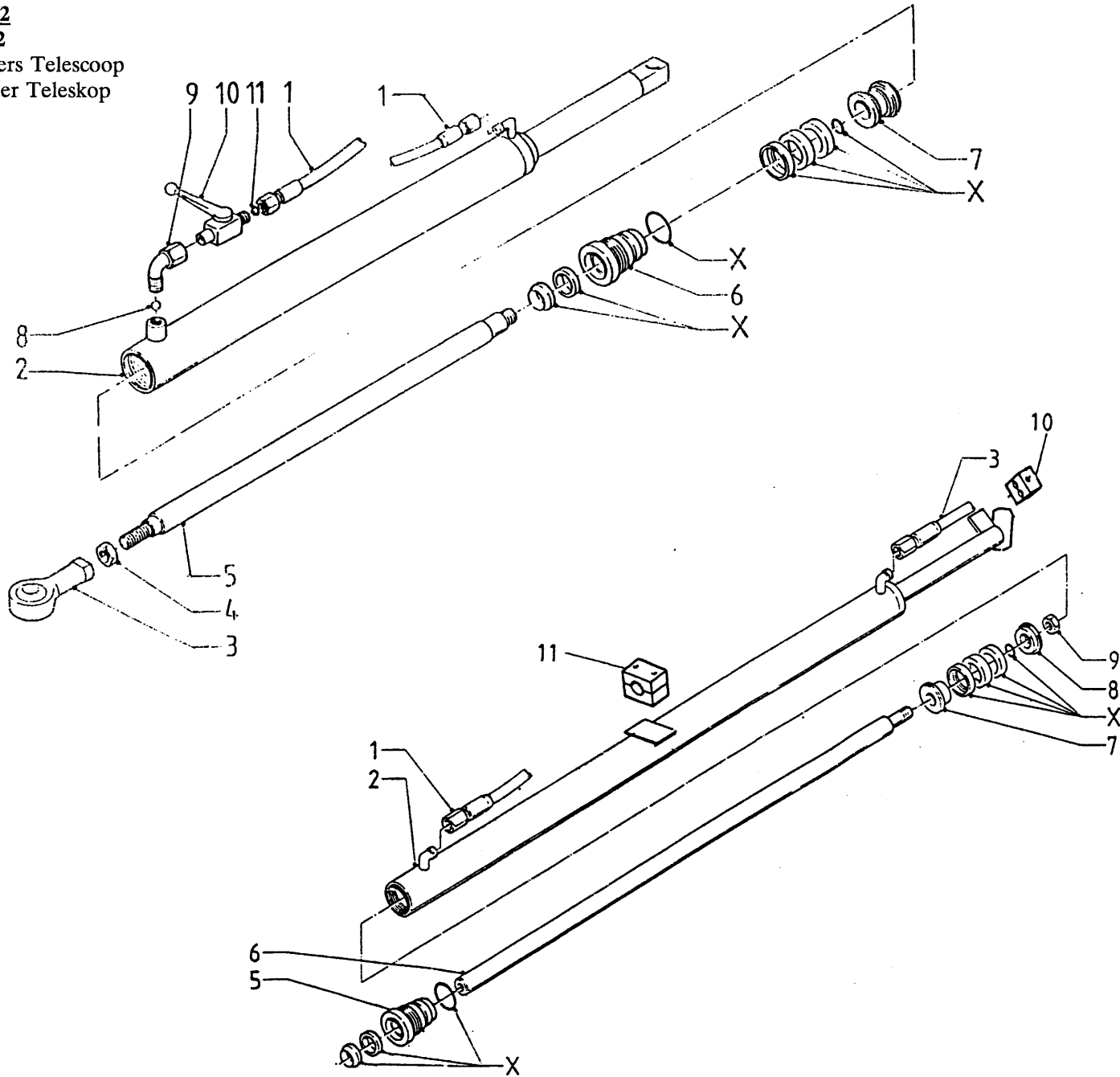
bestelnummer
ordernummer
num.à commander
Bestellnummer

| | 51011 | |
|---|--------|---|
| 1 | X50112 | 2 |
| 2 | 30635 | 2 |
| 3 | 30636 | 1 |
| 4 | 30637 | 1 |
| 5 | 84421 | 4 |
| 6 | 30976 | 1 |
| 7 | 88021 | 2 |
| 8 | 88020 | 2 |
| X | 05085 | 1 |

92046/2

Afb. 12

Cilinders Telescoop
Zylinder Teleskop



bestelnummer
ordernummer
num.à commander
Bestellnummer

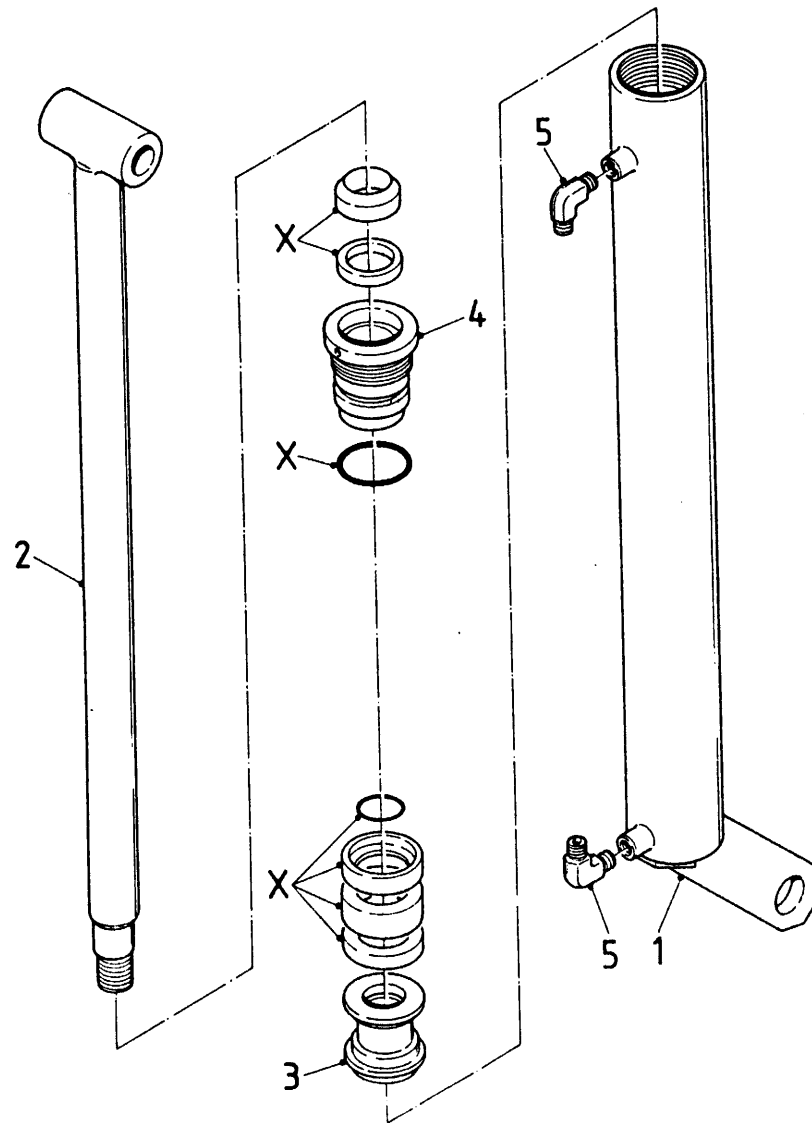
| 50080 | | | |
|-------|--------|---|-------------|
| 1 | W50743 | 2 | ¼" 1200 RH |
| 2 | 10967 | 1 | |
| 3 | 90157 | 1 | |
| 4 | 86130 | 1 | |
| 5 | 30747 | 1 | |
| 6 | 30855 | 1 | |
| 7 | 30856 | 1 | |
| 8 | 70069 | 1 | Ø 10 |
| 9 | 50146 | 1 | |
| 10 | 51019 | 1 | |
| 11 | 30752 | 1 | Ø 1,5 MM |
| X | 05200 | 1 | |
| 50050 | | | |
| 1 | W50682 | 1 | ⅜" 3000 RRZ |
| 2 | 10586 | 1 | |
| 3 | W50724 | 1 | ⅜" 2000 RR |
| 5 | 30915 | 1 | |
| 6 | 30585 | 1 | |
| 7 | 30588 | 1 | |
| 8 | 30589 | 1 | |
| 9 | 86122 | 1 | |
| 10 | 90159 | 1 | |
| 11 | 90160 | 1 | |
| X | 05199 | 1 | |

92046/2

Afb. 13

Kiepcylinder 51004/51026

Kipp-Zylinder 51004/51026



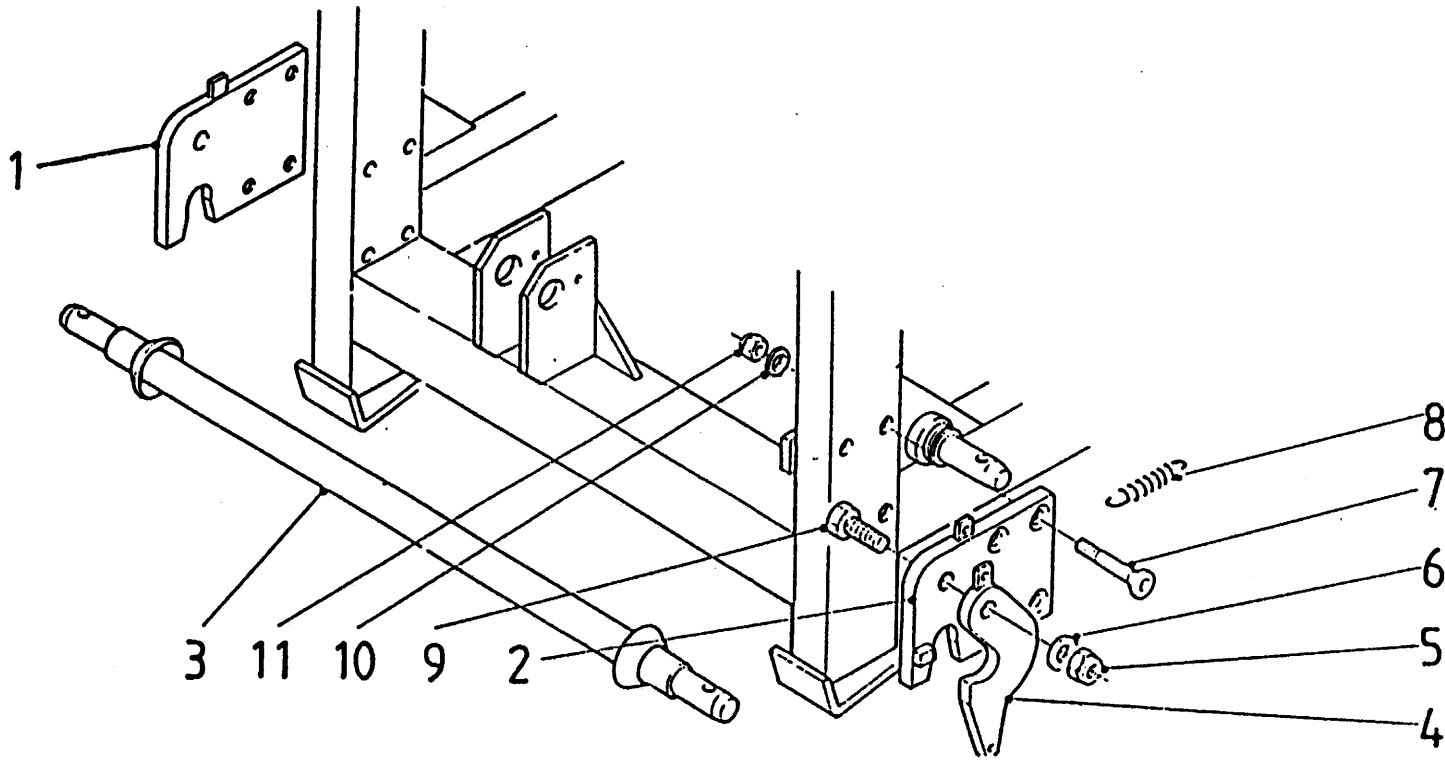
bestelnummer
ordernummer
num.à commander
Bestellnummer

| | | | 51004 | → 01 |
|---|--------|---|-------|------|
| 1 | 11174 | 1 | | |
| 2 | 11175 | 1 | | Ø 30 |
| 3 | 30038 | 1 | | |
| 4 | 30039 | 1 | | |
| 5 | X50107 | 2 | | |
| X | 05204 | 1 | | |
| | | | 51026 | ↳ 02 |
| 1 | 11310 | 1 | | |
| 2 | 11342 | 1 | | Ø 40 |
| 3 | 30038 | 1 | | |
| 4 | 31237 | 1 | | |
| 5 | X50107 | 2 | | |
| X | 05228 | 1 | | |

92046/2

Afb. 14

Snelkoppelingssysteem
Schnellkupplung



bestelnummer
ordernummer
num.à commander
Bestellnummer

| | | | |
|----|-------|---|-----------|
| 1 | 11164 | 1 | |
| 2 | 11165 | 1 | |
| 3 | 10012 | 1 | |
| 4 | 10392 | 2 | |
| 5 | 86216 | 2 | M 16 |
| 6 | 85116 | 2 | M 16 |
| 7 | 84121 | 8 | M 12 x 80 |
| 8 | 65005 | 2 | |
| 9 | 81646 | 2 | M 16 x 45 |
| 10 | 85112 | 8 | M 12 |
| 11 | 86212 | 8 | M 12 |



TRIOLIET MULLOS BV

Smitsbreeweg 2, 7581 HE Losser - Holland

Postbus 202, 7580 AE Losser / Postfach 202, 7580 AE Losser - Holland

Tel.: 053 - 53 81 700 / Tel.: (+) 31 - 53 - 53 81 700

Fax 053 - 53 87 605 / Fax (+) 31 - 53 - 53 87 605

Voor onderdelen / Für Ersatzteile:

Tel.: 053 - 53 82 972 / Tel.: (+) 31 - 53 - 53 82 972

Fax: 053 - 53 88 998 / Fax: (+) 31 - 53 - 53 88 998